

# WEED MAT SPECIFICATION

## TraFFix Devices Weed Mat

The intent of the following statements is to develop a specification for a crumb rubber mat, made from 100% California derived recycled tire rubber. The Weed Mat is designed to prevent the growth of foliage around guard rail, and cable barrier systems.

## Dimensional Requirements

- A. Overall Height: 48"
- B. Overall Width: 43.5"
- C. Weight per piece: 40 LBS.
- D. Thickness .5"

## Coverage

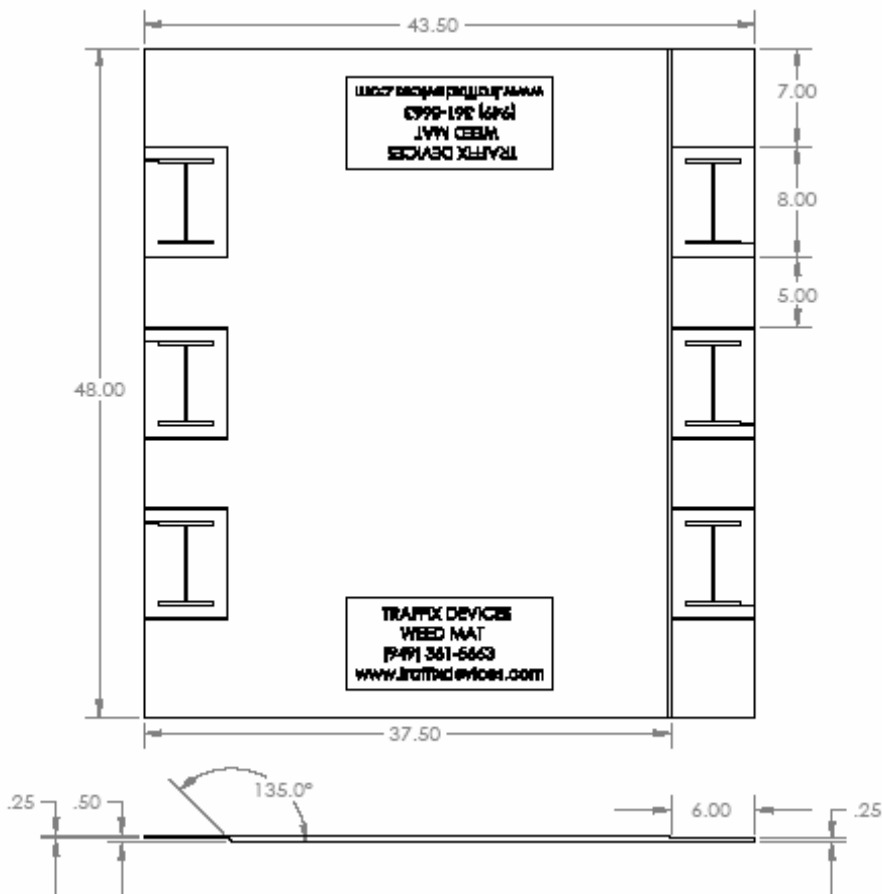
One Mat: 37.5" Width x 48" Height

Two Mats: 75" Width x 48" Height

Square Yards: 1.389

Square Meters: 1.161

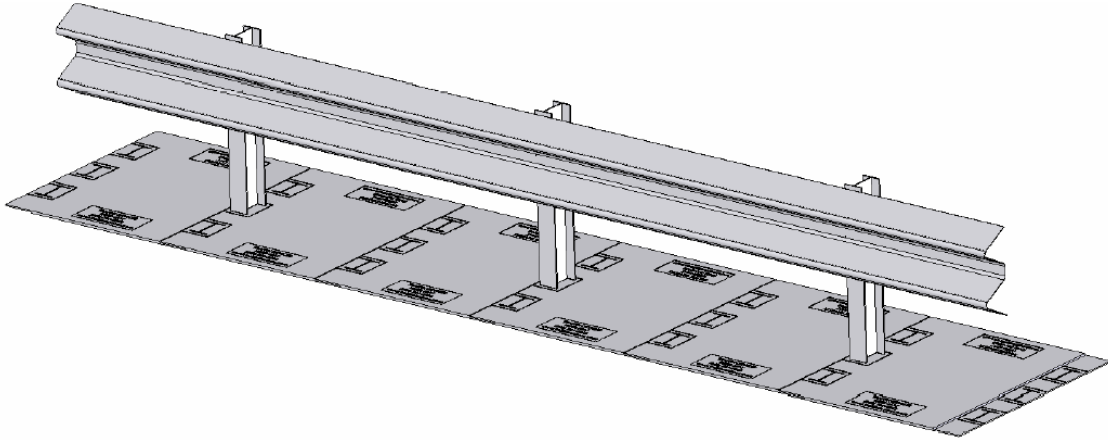
Per 1000 Feet of 75" Centers Guardrail: 320 Mats Needs



### **Weed Mat**

The Weed Mat is manufactured from 100% California derived recycled tire rubber. The Weed Mats will be compression molded at an elevated temperature with a binder agent added to create a strong, long lasting product. The color of the product will be black.

Weed Mats provide a skid resistant surface, as they are an adopted technology from the recreation industry and the workplace, where they were used primarily for playground and work area safety surfacing. Weed Mats prevent sunlight from reaching the ground surface, retarding seed germination. Weed Mats restrict water contact with the underlying ground surface.



### **Weed Mat Installation**

The Traffix Devices Weed Mats are designed to work with existing guard rail and cable barrier systems, with standard 4" X 6" H beam vertical supports, or standard 6" X 8" or 8" X 8" wooden post vertical supports. Traffix Devices Weed Mats have pre-formed locations for locating the vertical posts on center line, or offset. The offset allows for the Weed Mat to be located closer to the road surface, or back, to cover additional areas behind the guard rail.

The pre-formed shapes in the Weed Mat allow for easy trimming for use with either the H beam, or the wood post installations. For new guard rail and cable barrier installations, the Weed Mats can be set in place, and the H beam can be driven through the Weed Mat. The overlap of each adjoining edges of the weed mats prevents foliage from growing between adjoining Weed Mats.

Optional method of securing the Weed Mat:

The use of spikes to secure the Weed Mat can be used. The spikes, if used, should be driven through the Weed mat at a convenient location near the edges, and corners of the Weed Mat. Spikes shall be made from long lasting material. The head of the spike, or washer installed under the head, shall have a diameter of at least 1.25". Spikes shall not cause splitting of the Weed Mat.

The specifications of the local governing agency, and the specific application will determine the need for the use additional anchoring.

### **Adhesive Caulking for Weed Mat Overlap Area**

Option # 1 – **Marine Grade Urethane Adhesive/Sealant:**

Contractor applies one continuous, 1/4" to 5/16" urethane bead across width of mat in the 1/4" thick by 6" overlap area of the weed mat. If required, additional marine grade urethane sealant maybe used to seal around guardrail posts or edges of pavement.

#### **Manufacturer Tested And Approved Marine Grade Urethane Adhesive/Sealants**

Bostik Marine 920 Urethane Adhesive/Sealant

3M Marine 4000 Fast Cure UV Adhesive/Sealant

Option #2 - **Bituminous / asphalt based adhesive caulking strip is factory applied** to the lap strip of each Weed Mat. During installation, the adhesive caulking strip backing is removed from each Weed Mat. The Weed Mats are overlapped and the adhesive caulking strip bonds the adjacent Weed Mats. The bond provides a level of sealing between the Weed Mats, preventing lifting and water or dirt migration.

### **Crack Sealant**

Crack sealant shall be modified asphalt crack sealant consisting of a mixture of paving asphalt and ground rubber or ground rubber and polymer. The gradation of the ground rubber shall be such that 100 percent will pass a 2.36-milimeter sieve.

The modified asphalt crack sealant shall conform to the following requirements:

Test	ASTM Designation	Requirements
Softening Point	D36	82 degrees C min.
Cone Penetration @25C	D3407	30 dmm min.
Resilience @ 25 C	D3407	40% min.
Flow	D3407	3 mm max.

The modified crack sealant material shall be furnished in containers with an inside liner of polyethylene. Packaged material shall not exceed 27 kg in mass.

The modified asphalt crack sealant material shall be capable of being melted and applied to cracks at temperatures below 204 degrees C. When heated, it shall readily penetrate cracks 6 mm wide or wider. A certificate of compliance for crack sealant shall be furnished to the Engineer in accordance with the provisions in Section 6-1.07, "Certificates of Compliance" of the Standard Specifications.

### **Site Preparation**

Areas to receive Weed Mats shall be cleared of trash and debris. Vegetation shall be removed to the ground. Cleared trash, debris and removed vegetation shall be disposed outside the highway right of way in conformance with Section 7-1.13, "Disposal of Material Outside the Highway Right of Way," of the Standard Specifications.

Prior to Weed Mat application, the areas shall be cleared as specified under "Clearing and Grubbing" in these special provisions.

Prior to placement of Weed Mats, the sub grade surface shall be smooth, firm, stable and free of rocks, clods, foliage, roots or other material greater than 25 mm in diameter.